

SUB CONTRACTOR:
 T & C QATAR L.L.C. - C.R. 35109
 P.O. Box: 2329 DOHA, QATAR
 TEL: (+974) 4421 833 / 4930 614
 FAX: (+974) 4410 553 / 4930 614



CONSULTANT:
 ARAB ENGINEERING BUREAU
 المكتب العربي للتقنية
 ARAB ENGINEERING BUREAU
 رقم بريد 1154 الدوحة قطر
 Telephone: +974 4477 169 Fax: +974 4477 168 P.O. Box 148 Doha Qatar
 Email: aeb@ab-qatar.com Web: www.aeb-qatar.com

DESIGNER:
 GHD
 GHD
 P.O. Box 14552 Doha Qatar
 T 974 4322279 F 974 4466127
 E doha@ghd.com.au www.ghd.com.au

MAIN CONTRACTOR:
 AL MADAR CONTRACTING
 P.O. Box: 2329 DOHA, QATAR
 TEL: (+974) 4675405 - 4674466
 FAX: (+974) 4671333 - C.R. : 15061
 WEB SITE: www.almadar-group.com
 Email: conteng@almadar-group.com

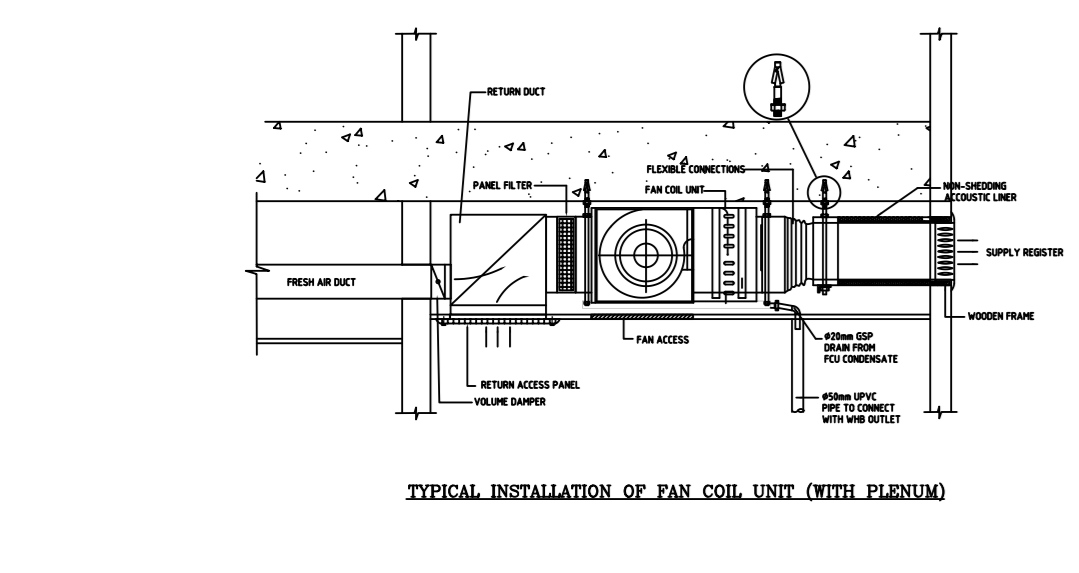
OWNER:
 ALI ABDUL REDA MASHHADI

PROJECT:
 AL NOOR OFFICE TOWER AT NEW DOHA
 2B+G+F+22 FLOORS

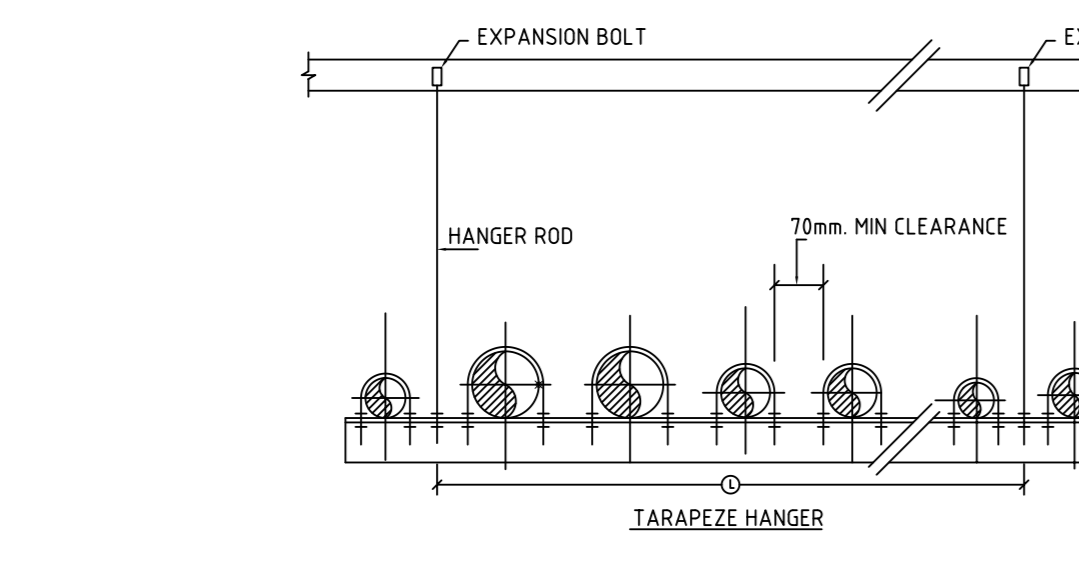
DRAWING TITLE:
 GROUND FLOOR
 HVAC & CHILLED WATER

DRAWING REFERENCE:
 75-10288-M120 - GROUND FLOOR FLOOR HVAC
 75-10288-M220 - GROUND FLOOR FLOOR CHILLED WATER
 75-10288-M170 - HVAC & CHILLED WATER SCHEMATIC DIAGRAM

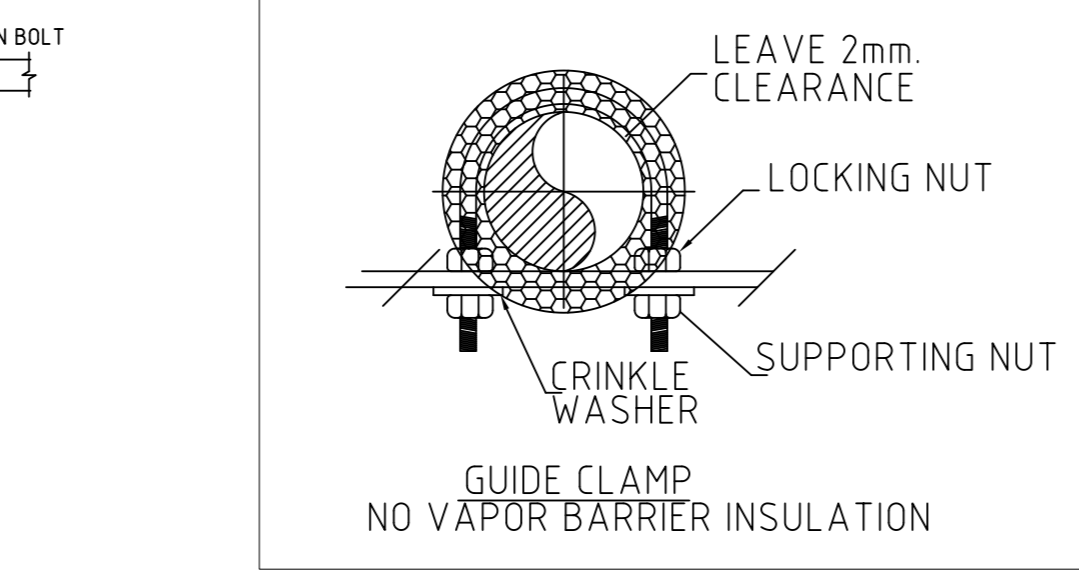
DX-SPLIT UNIT SCHEDULE										
REF. NO.	LOCATION	TYPE	AMBIENT	INDOOR	OUTDOOR	REFRIG. CAPACITY	POWER	WATER	DRAIN	QUANTITY
SD-01	RECEPTION	REFRESH AIR UNIT	WALL MOUNTED	40°C	1	3.3	2.8	1	30	1.4/2.5
SD-02	CONFERENCE	REFRESH AIR UNIT	WALL MOUNTED	40°C	1	2.4	2.0	1	30	1.4/2.5
SD-03	CONFERENCE	REFRESH AIR UNIT	WALL MOUNTED	40°C	1	2.4	2.0	1	30	1.4/2.5
SD-04	CONFERENCE	REFRESH AIR UNIT	WALL MOUNTED	40°C	1	2.4	2.0	1	30	1.4/2.5



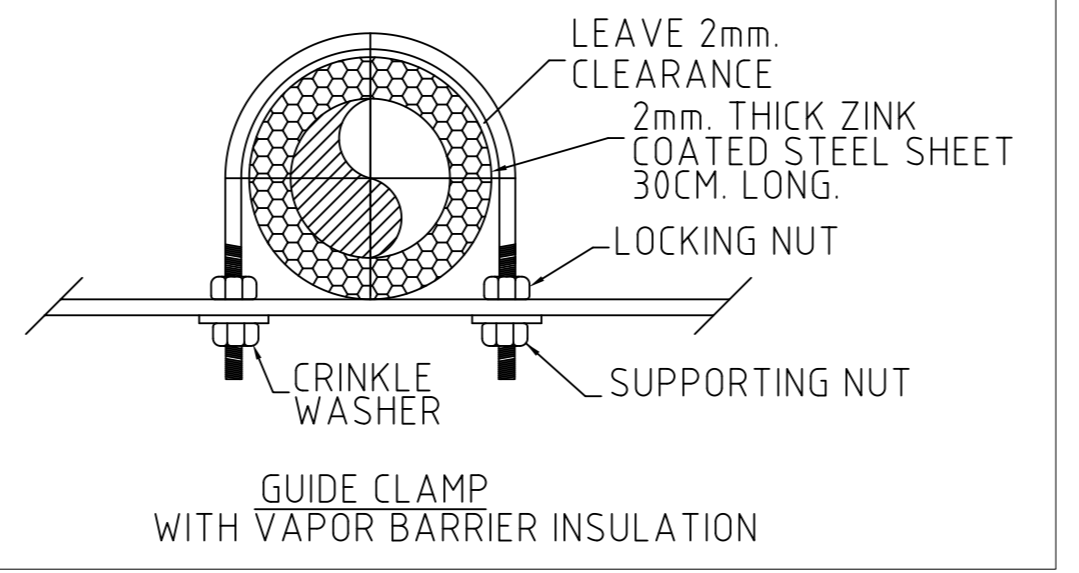
SLOT LINEAR DIFFUSER									
REF. NO.	SIZE (mm)	LENGTH (m)	TYPE	FINISH	QUANTITY				
SD-01	150x30	1.8	RETURN	SMOOTH	1				
SD-02	150x30	1.8	RETURN	SMOOTH	1				



FAN SCHEDULE									
FAN DESIGNATION	LOCATION	AIR FLOW (m³/s)	TYPE	REMARKS					
FD-01	RECEPTION	2.8	EXHAUST	WITH VAPOR BARRIER INSULATION					



AIR HANDLING UNIT SCHEDULE									
REF. NO.	LOCATION	TYPE	SIZE (mm)	QUANTITY					
AHU-01	RECEPTION	RETURN	1500x1000	1					
AHU-02	CONFERENCE	RETURN	1500x1000	1					



FAN COIL UNIT									
REF. NO.	LOCATION	TYPE	SIZE (mm)	QUANTITY					
FCU-01	RECEPTION	RETURN	1500x1000	1					
FCU-02	CONFERENCE	RETURN	1500x1000	1					

LEGEND									
SYMBOL	DESCRIPTION								
(Symbol)	FLEXIBLE CONNECTION 200								
(Symbol)	VOLUME CONTROL DUMPER								
(Symbol)	SUPPLY DIFFUSER								
(Symbol)	RETURN DIFFUSER								
(Symbol)	EXHAUST GRILL								
(Symbol)	LINEAR SLOT DIFFUSOR SUPPLY & RETURN								
(Symbol)	SUPPLY GRILL								
(Symbol)	RETURN GRILL								
(Symbol)	DUCT RISER								
(Symbol)	INDOOR UNIT								

DRAWN BY		D. PASQUINELLI	
CHECKED BY		M. ALAA	
APPROVED BY		M. MOHAMUD	
DATE	05.07.07		
SCALE	1:50	SIZE	A0
REVISION	0	DATE	05.07.07
DRAWING NO.	TCO1M3G00066		
SHEET	2 OF 2		